

Electrical Water Pump P-020 / -021

Working principal:

Wet-rotor principle not self-priming . - Intake fitting radial or axial



020.230

020.231

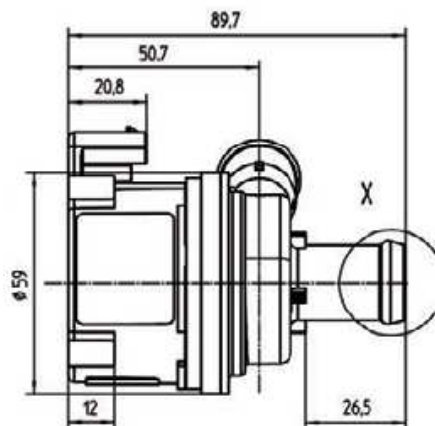
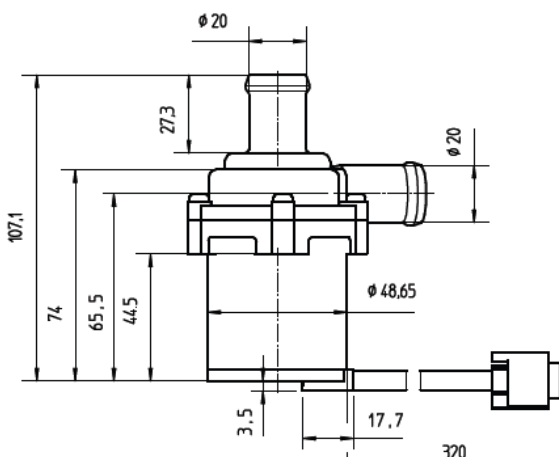
021.301

Characteristics		Axial 020.230	Radial 020.231	Axial 021.301
Rated Voltage	V	12	12	12
Feed pressure	bar	0,14	0,14	0,14
Feed output	L / H	500	500	720
Current	A	1,0	1,0	0,95
Overall efficiency	%	17	17	17
Max. Constant current	A	2,5	2,5	1,2
Max. Feed pressure	bar	0,18	0,18	0,22
Max. Feed output	L / h	980	980	1000
Motor Parameter				
Weight	g	350	350	255
Terminal resistance	Ohm	1,0	1,0	1,0

020.230

020.231

021.301



Advantages:

Water Pump with Brush-les Technology (Long life)

Motor:
Single phase, unipolar
Inner rotor design
Overload protection
Integrated RFI –

Compact & Robust design

Suitable for lot of industrial application

High performance

Sealed to IP 6K9K /IPX9K

Vibration and impact resistant

Operation Conditions

Operating temp.
-40°C to 100°C

Medium temp.
-40°C to 125°C

Pressure range (absolute) –
Constante operation
0,1-3,5 bar

Protection against false polarity

Pumps made in Europe